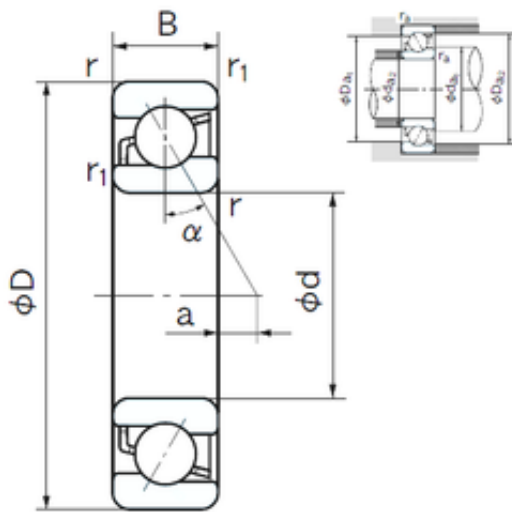




China 608rs Bearing Supplier



7008 Bearing 2D drawings and 3D CAD models

NSK NACHI Angular Contact Ball Bearing 7008 7008 P4 Precision Bearing Size 40*68*15

Bearing No. 7008

Size	40x68x15 mm
Bore Diameter	40 mm
Outer Diameter	68 mm
Width	15 mm
d	40 mm
D	68 mm
B	15 mm
C	15 mm
Angle (°)	30 °
a	8.2 mm
r min.	1 mm
r1 min.	0.6 mm
da min.	45 mm
Da max.	63 mm
ra max.	1 mm
Weight	0.210 Kg
Basic dynamic load rating (C)	18,8 kN
Basic static load rating (C0)	14,5 kN
(Grease) Lubrication Speed	8500 r/min
Configuration	Single Row
Enclosure	Open
Bore Type	Cylindrical Bore
Bore Size	40 mm
Outside Diameter	68 mm
Width	15 mm



China 608rs Bearing Supplier

Fillet Radius/Chamfer	1 mm
r1	0.6 mm
Dynamic Load Rating	18,800 N
Static Load Rating	14,500 N
Limiting Speed - Grease	8,500 rpm
Limiting Speed - Oil	11,000 rpm
da1 (min)	45 mm
da2 (min)	45 mm
Da1 (max)	63 mm
Da2 (max)	65 mm
ra (max)	1 mm
ra1 (max)	0.6 mm